
Instruction Manual
MP009
Mobile Hydraulic Scissor Lift Table
1100 lbs. (500 kg)



KLETON

WARNING!

Read this operation manual carefully and understand fully the operating instructions. Improper use of this unit could result in injury.

- DO NOT put foot or hand in scissor mechanism.
- Keep neighbouring persons away from the unit when in use.
- DO NOT stand in front or behind of lift table when it is in use.
- DO NOT crawl under the table.
- DO NOT put foot in front of rolling wheels.
- DO NOT use lift table on slope or inclined surfaces.
- DO NOT lift or ride people on this unit.

CAUTION!

- DO NOT move this unit when lifting or lowering the bed or when the bed is in an elevated position. (Bed must be lowered when the unit is running)
- DO NOT use this table for any purpose other than it's intended use and do not load with more than the rated capacity.
- DO NOT allow persons to operate this table without complete understanding of its operation.
- DO NOT lower the bed too quickly.
- During loading/unloading operation, do not release the parking brake.
- Load should be distributed on at least 80% of the table area. Stop operation of lift table if load becomes too unstable, do not place objects protruding off edge of the bed.
- DO NOT modify lift table without manufacturers written consent.

Daily Inspection

Daily inspection of this unit is critical in order to locate any malfunction or fault. Check the following daily before operating your lift table.

1. Check for bending or cracking of the lift table.
2. Check for any oil leakage from the cylinder.
3. Check for vertical creep of the table.
4. Check for smooth movement of the wheels.
5. Ensure that brakes are fully functional.
6. Ensure that all nuts and bolts are firmly tightened.

Assembly method

The lift table is packed in a cardboard box. Assembling of the jack up pedal is required.

WARNING: Assembly work must be done on a flat surface; wheels must be chocked to prevent accidental rolling of the unit.

1. Insert the jack pedal into the pedal pipe and position the tapered side pedal end to right. Tighten the jack pedal using the removed nut and washer with the smallest hex key supplied in the box.
-

OPERATING THE LIFT TABLE

How to use the brake

The brake is located next to the swivel caster on right hand side.

1. To brake the lift table, press the brake pedal.
2. To release the brake, lift up the brake pedal.

CAUTION: Put lift table in brake mode when stationary in order to prevent sudden movement.

Lifting the Table

To lift the table, press the lifting pedal several times until the table reaches the desired height. The table lowers slightly after reaching the highest position. Maximum Capacity of this table is 1100 lbs. (500 kg).

WARNING: Do not overload lift table, stay within the rated capacity.

Do not load the table on sides or ends only. Load must be distributed on at least 80% of table area.

Lowering the Table

WARNING: DO NOT put foot or hand in scissor mechanism. The rotating knob lowers the table.

NOTE: The hydraulic cylinder is designed to hold table. As is the nature of the hydraulic system, table lowers very slowly over an extended period of time. Please note that the table does not stay at the same height indefinitely.

Specifications

Model	Capacity	Table	Table Height	Foot Pedal Strokes to Elevate	Wheel	Weight
MP009	500 kg. 1100 lbs.	800 x 1600 mm 31.4" x 63"	310-900 mm 12.2" x 35.4"	≤ 55	127 mm 5"	136 kg. 300 lbs.

Service Instructions

Change hydraulic oil every 12 months

Lubricate the following areas every month: Fitting of Cylinder/oil, Roller Friction Surface/grease, Link Pin/oil, Pedal Fitting Point/oil, Grease Nipple/grease

Troubleshooting

If the table does not lift when pressing the lift pedal several times:

The pull rod is too tight and needs to be loosened.

- Using a wrench, loosen the nut holding the pull rod in place.
- With pliers, push the pull rod from the end back to loosen it, then a wrench to tighten the nut.

If the table does not lower, then the pull rod is too loose and needs to be tightened.

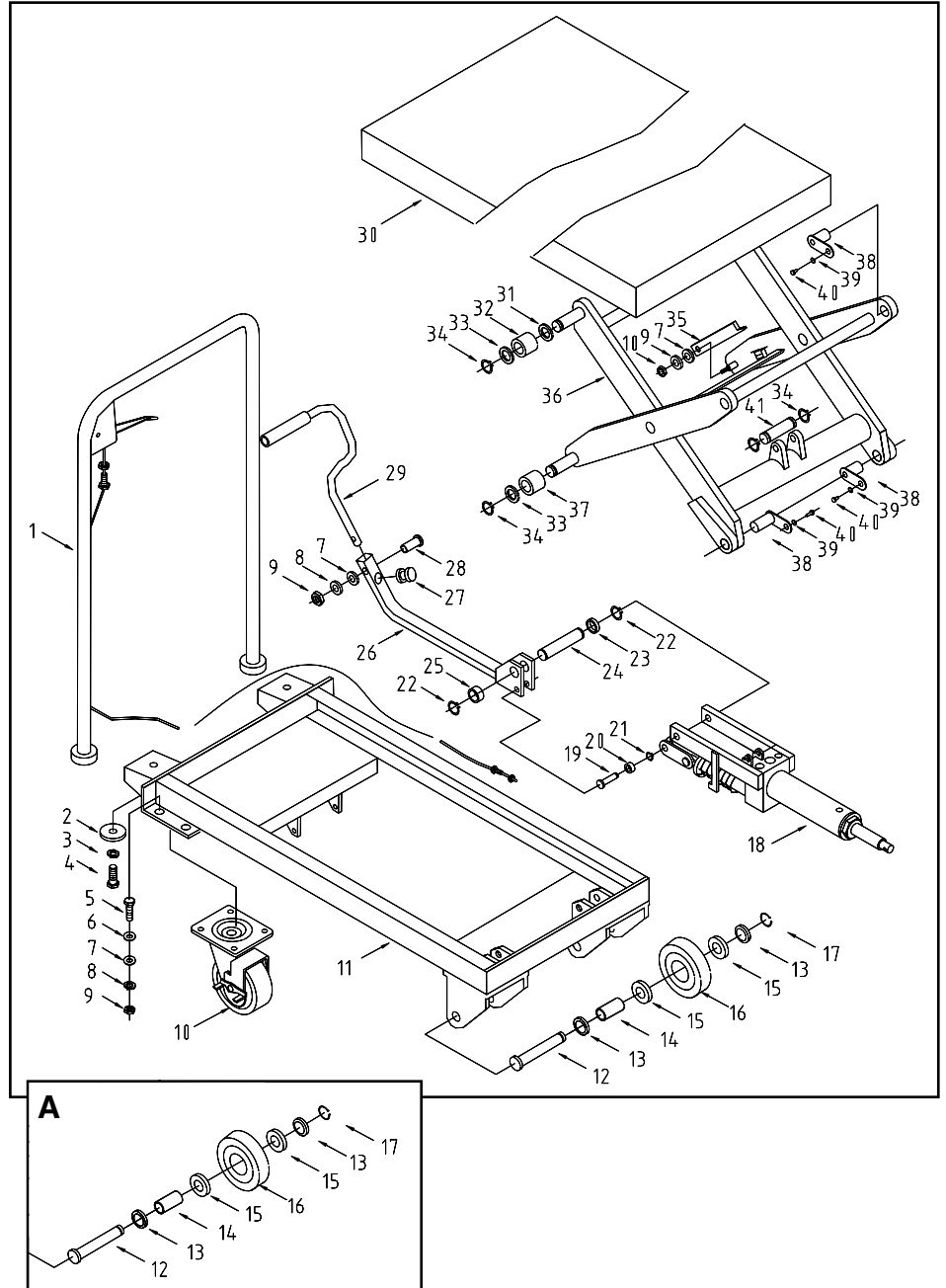
- Using a wrench, loosen the nut holding the pull rod in place.
- When pliers, pull the end of the pull rod to tighten it, then use a wrench to tighten the nut.



LIFT TABLE PARTS LIST

Part No.	Model No.	Description	Qty.
1	SPAIII.1.01	Handle bar	1
2	SPA.0-02	Washer	2
3	GB93-1986	Washer	2
4	GB5781-2000	Bolt	2
5	GB5781-2000	Bolt	8
6	GB95-1985	Washer	19
8	GB93-1986	Washer	11
9	GB41-86	Nut	11
10	MP021	Swivel Wheel	2
11	SPT500.2-00	Frame	1
12	SP.0-08	Shaft	2
13	SP.0-06	Bush	4
14	SP.0-07	Hollow shaft	2
15	GB276-86	Bearing	4
16	SP.0-04	Wheel	2
17	GB894.1-86	Retaining ring	2
18	MP031	Pump	1
19	SP.0-11	Shaft	1
20	SP.0-12	Washer	1
21	GB894.1-86	Retaining ring	1
22	GB894.1-86	Retaining ring	2
23	YQ-7-700	Retaining ring	1

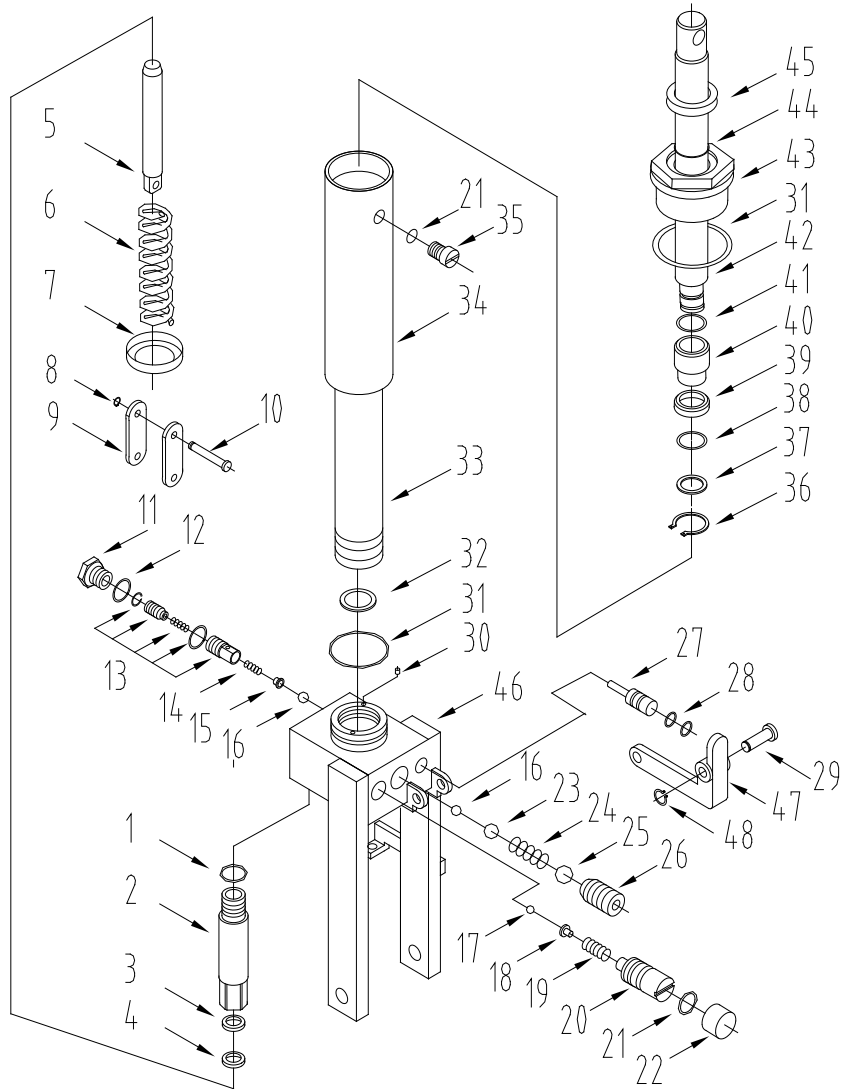
Part No.	Model No.	Description	Qty.
24	SP70.0-07	Shaft	1
25	YQ-8-700	Retaining ring	1
26	SPT50.1.01	Connecting rod	1
27	SP.3-03	Cushion	1
28	GB5781-2000	Bolt	1
29	SP.3-02	Pedal rod	1
30	SPT50.4-00	Table	1
31	SP.6-11	Washer	2
32	SP.6-12	Roller	2
33	GB848-1985	Washer	4
34	GB894.1-86	Retaining ring	6
35	SPT50.3-07	Knighthead	2
36	SPT50.3-00	Arm	1
37	SP.6-10	Roller	2
38	SP.0.02	L-pin	4
39	GB93-1987	Washer	4
40	GB70-85	Screw	4
41	SP.0-03	Pin	1
A	MP025	Wheel Assembly	2



PUMP PARTS LIST

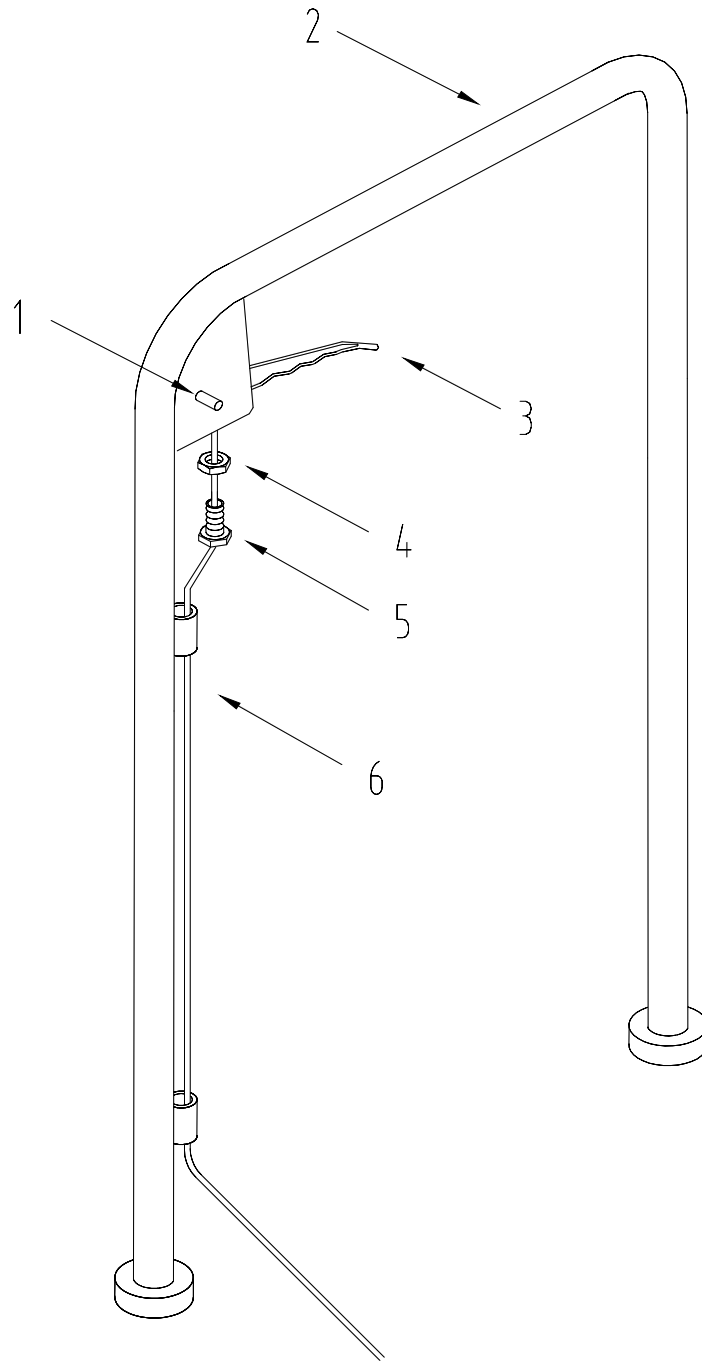
Part No.	Model No.	Description	Qty.
1	GB3452.1-86	O-ring	1
2	SP.8-11	Pump cylinder	1
3	UHS18	YX-seal ring	1
4	DH18	Dust ring	1
5	SP.8-10	Pump plunger	1
6	SP.8-09	Spring	1
7	SP.8-08	Spring seat	1
8	GB894.1-86	Retaining ring	1
9	SP70.0-09	Joint plate	2
10	SP.0-14	Pin	1
11	JF.1-17	Screw	1
12	JB982-77	Copper washer	1
13	6W804.1-12	Damp valve	1
14	YQ-03A	Spring	1
15	YQ-02	Spring seat	1
16	GB308-77	Steel Ball	2
17	GB308-77	Steel ball	1
18	SP.8-18	Spring seat	1
19	SP.8-17	Spring	1
20	SP.8-16	Adjusting screw	1

Part No.	Model No.	Description	Qty.
21	GB3452.1-86	O-ring	2
22	SP.8-15	Cover ring	1
23	GB308-77	Steel ball	1
24	SP.8-07	Spring	1
25	GB308-77	Steel ball	1
26	GB77-85	Screw	1
27	YQ-01A	Strike pin	1
28	GB3452.1-82	O-ring	2
29	DF1.2-08	Shaft	1
30		Filter	1
31	GB3452.1-82	O-ring	2
32	SP.8-12	Rectangular ring section	1
33	SPT50.5-03	Cylinder	1
34	SPT50.5-02	Housing	1
35	SP.8-02	Screw	1
36	GB894.1-86	Retaining ring	1
37	SP.8-13	Washer	1
38	GB3452.1-82	O-ring	1
39	SP.8-14	Cup packing	1
40	SP.8-06	Bush	1



Part No.	Model No.	Description	Qty.
41	GB3452.1-82	O-ring	1
42	SPT50.5-04	Piston rod	1
43	SPT50.5-01	Cylinder cap	1
44	GB3452.1-82	O-ring	1
45	HG4-692-67	J shaped steel frame rubber sealing	1
46	YQ.6-T500	Base	1
47	YQ-04	Lever plate	1
48	GB894.1-86	Retaining ring	1

HANDLE PARTS LIST



Part No.	Model No.	Description	Qty.
1	MJ986	Pin	1
2	SPAll.1.01	Handle bar	1
3	MP015	Knob	1
4		Nut	1
5	MP018	Screw	1
6		Pull rod	1